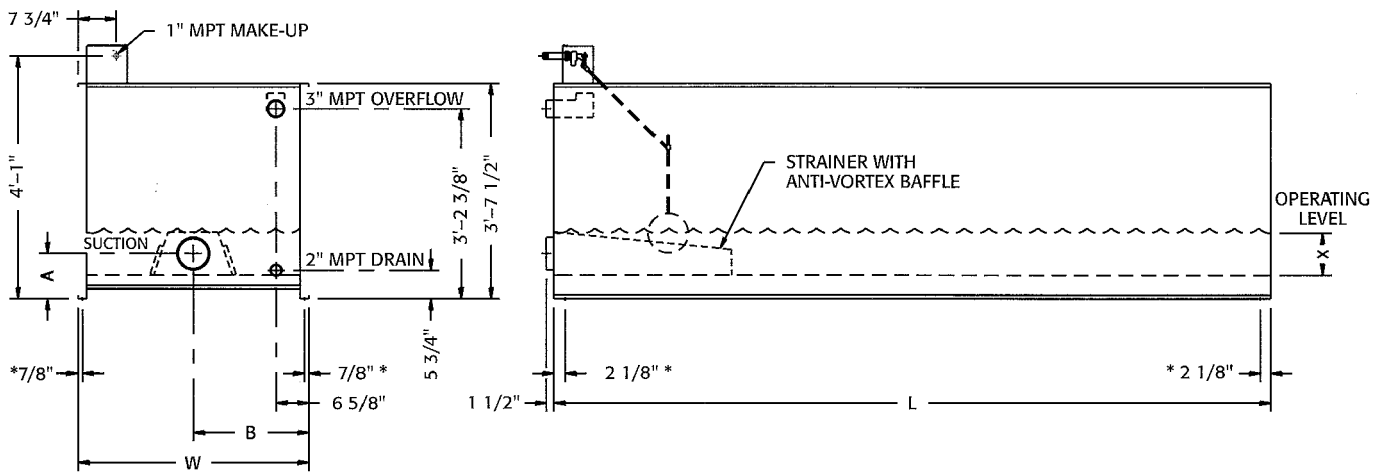




Baltimore Aircoil

Remote Sump Engineering Data & Specifications Models RS-94 to RS-1390

In the interest of product improvement, specifications and dimensions are subject to change without notice.



* 5/8" DIA. MOUNTING HOLES

MODEL NO.	SHIPPING WEIGHT (1)	MAXIMUM WEIGHT (1,3)	MAXIMUM STORAGE VOLUME (2)	"X" (4) MINIMUM OPERATING LEVEL	NET AVAILABLE VOLUME (2)	DIMENSIONS (1)				SUCTION MPT
						W	L	A	B	
RS-94	240	1070	94	8 1/2"	72	22 1/2"	36 1/8"	8"	11 1/4"	4"
RS-212	350	2220	212	8 1/2"	163	46 3/8"	36 1/8"	8"	23 3/16"	4"
RS-335	470	3410	335	8 1/2"	257	46 3/8"	54 1/8"	8"	23 3/16"	4"
RS-457	610	4630	457	8 1/2"	351	46 3/8"	72"	9 1/8"	23 3/16"	6"
RS-702	800	6970	702	8 1/2"	539	46 3/8"	107 7/8"	9 1/8"	23 3/16"	6"
RS-946	1030	9340	946	8 1/2"	727	46 3/8"	143 3/4"	9 1/8"	23 3/16"	6"
RS-1390	1260	13470	1390	8 1/2"	1068	66 1/2"	143 3/4"	9 1/8"	33 1/4"	6"

1. ALL DIMENSIONS ARE IN FEET AND INCHES. WEIGHTS ARE IN POUNDS.
2. TANK VOLUMES ARE IN U.S. GALLONS.
3. THE MAXIMUM WEIGHT IS TANK FILLED WITH WATER TO SPILL-OUT LEVEL.
4. MINIMUM OPERATING LEVEL "X" IS MEASURED FROM INSIDE BOTTOM OF TANK.

Safety Adequate precautions should be taken to safeguard the equipment and the premises from damage and the public from possible injury as appropriate for the installation and location of these products.

Warranties Please refer to the Limitation of Warranties applicable to and in effect at the time of the sale/purchase of these products.

Specifications For BAC Remote Sump Tanks

TANK

The tank is constructed of heavy gauge, hot-dip galvanized steel, with flanged and gasketed panel design.

STRAINER AND ANTI-VORTEXING BAFFLE

Large area, lift-out, hot-dip galvanized steel strainer with perforated openings and an integral anti-vortexing hood to prevent air treatment.

MAKE-UP

Brass make-up valve with large diameter, un-sinkable plastic float arranged for easy adjustment.

OVERFLOW AND DRAIN CONNECTIONS

Each model BAC remote sump tank includes an overflow and drain connection. Additional connections are available for other application requirements.

Optional Accessory Equipment

- BALTIBOND® Corrosion Protection System
- Tank Covers
- Electric Water Level Controls
- Hot Well/Cold Well Arrangement



Baltimore Aircoil

P.O. Box 7322, Baltimore, Maryland 21227
410-799-6200 Fax 410-799-6416
www.BaltimoreAircoil.com